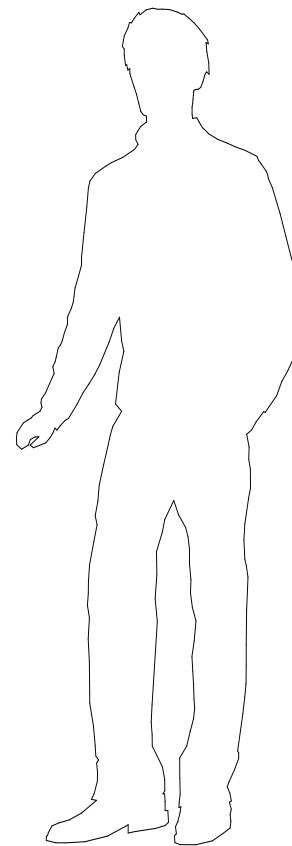
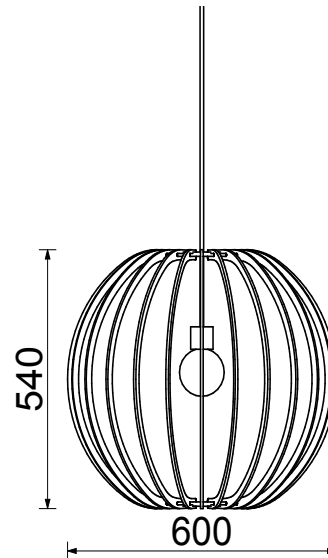


minima



1750

SPHERE 600

PENDANT LIGHT FITTING WITH
CORD SET AND CEILING CUP

The sphere is the most basic and simple of archetypal forms. A spherical shape therefore fits in with absolutely any environment or space. The Sphere 400 and 600 are the two smaller pendant lights of the minima Sphere range. They are available in 'easy to assemble' flatpack or pre-assembled.

| | |
|----------------|--|
| Product | Sphere 600 |
| Shade Material | 6mm Birch Ply |
| Size | 600mm dia x 540mm h |
| Colour Options | Natural Wood sealed with Low VOC Waterbased Polyurethane sealer or Colour side edged |
| Ceiling Cup | 80mm dia Aluminium in Brushed Aluminium, Powder coated white, or Powder coated black |
| Lampholder | E27 220-250VAC 50/60Hz |
| Cord | 3m Fabric Cord |

PACKAGING

| | |
|-----------------------|-----|
| Carton size Assembled | TBC |
| Carton size Flatpack | TBC |
| Packaged weight | TBC |

INSTALLATION

To be installed by certified electrician only
Only for dry, wind free, indoor use

To used with LED or CFL lamp.

For fabric cord wrap tape around fabric before cutting to prevent fraying

CARE

Wipe clean with a damp cloth

minima

Unit 5 | Empire Park | 5 Gateway Close
Capricorn Business Park | Muizenberg
Cape Town
tel 021 7882515
PO Box 16309 | Vlaeberg | 8018

info@minima.co.za | www.minima.co.za